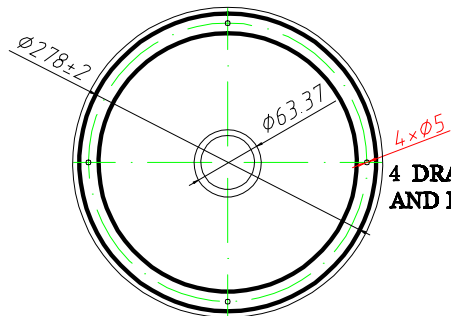


2 DRAIN HOLES R12 180° DISPLACED

CAPACITY: 29.8±0.2LTS
WEIGHT: 8.5±5%KGS
MATERIAL: SUS304-2B
KEG PICKLED AND PASSIVATED
NECK: DROP IN
USAGE PRESSURE: ≤0.3MPa(45PSI)
TEST PRESSURE: ≤0.6MPa(85PSI)



4 DRAIN HOLES TOP AND BOTTOM SKIRT

Standard Kegs LLC
info@standardkegs.com
www.standardkegs.com

1/4 USA			
Unit	MM	Weight	8.5±5%Kg
Proportion	1:6	Volume	29.8L
Material	SUS 304 / 1.4301		